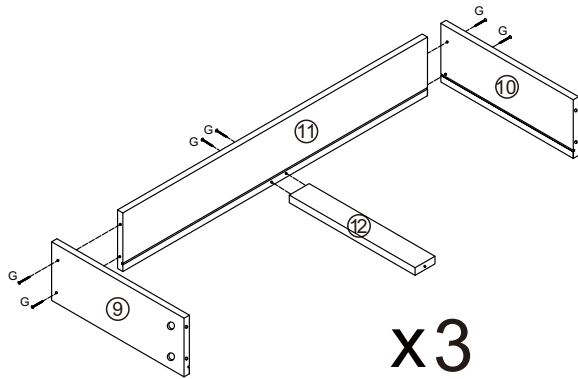
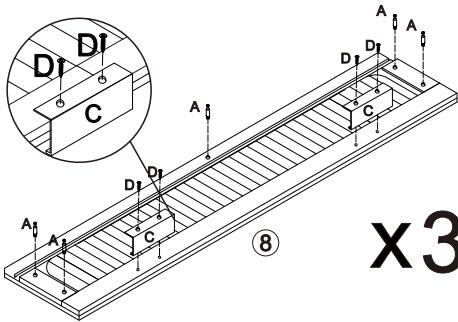
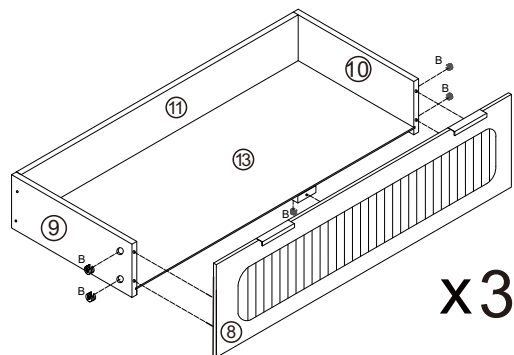
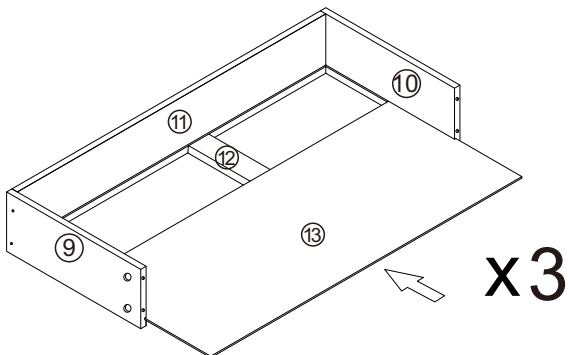


A		20PCS	K		4 PCS
B		20PCS	L		4 PCS
C		6 PCS	M		2 PCS
D		12PCS	N		2 PCS
E		3 PCS	O		24PCS
F		8 PCS	P		4 PCS
G		24PCS			
H		2 PCS			
I		2 PCS			
J		3 PCS			

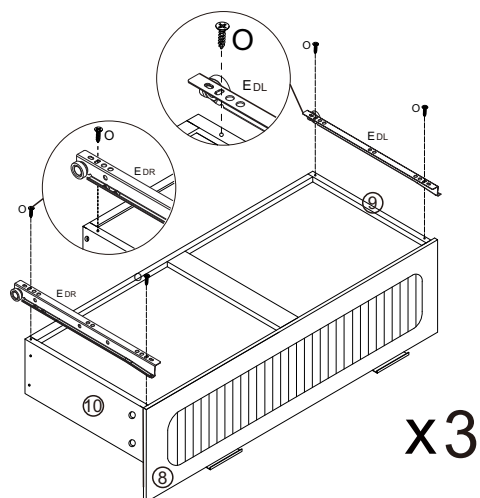
**1** Attach the handle (C) using screw (D) & cam bolt (A) on piece 8.  
Attach pieces 9, 10, 11 & 12 using screws (G).  
Make sure that the built-in ridge is facing inwards and at the bottom.



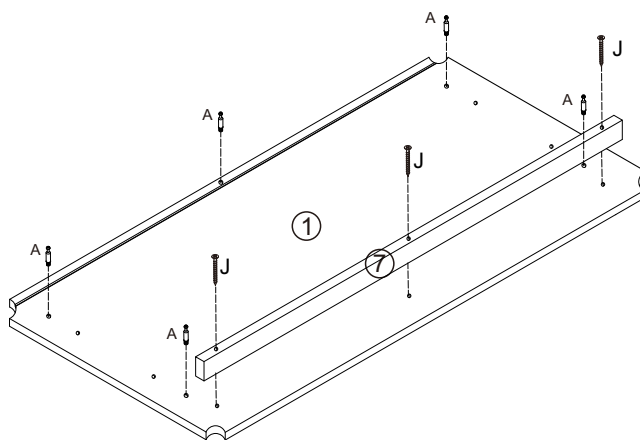
**2** Slot piece 13 into the ridges. First insert the cam locks (B) into the pre-drilled holes on parts 9 & 10.  
Line up these screws with the pre-drilled holes on the front piece (8).  
Once attached, tighten the cam locks (B) using a cross-head screwdriver and ensure the piece is secure.



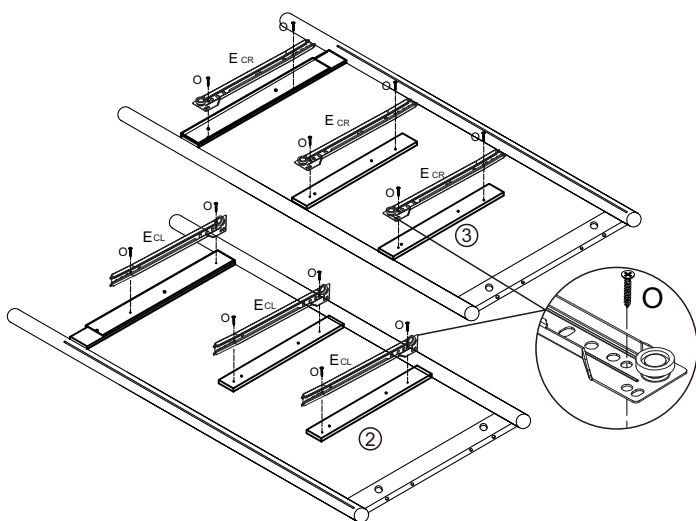
**3** Turn the drawer upside down.  
Line up the holes on the outside pieces with the holes on the runners (EDR & EDL), secure to the drawer using screws (O).



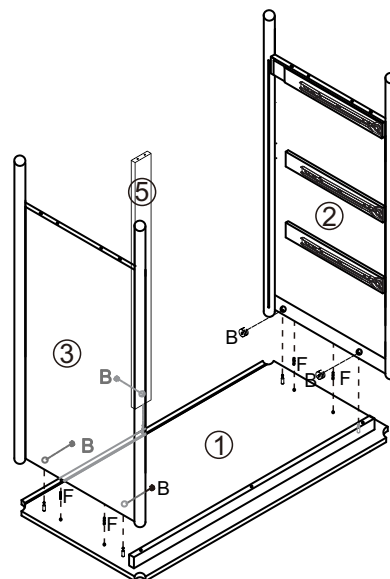
**4** Attach pieces 7 to Top panel 1 using screws (J), attach cam bolt (A) on panel 1 as shown.



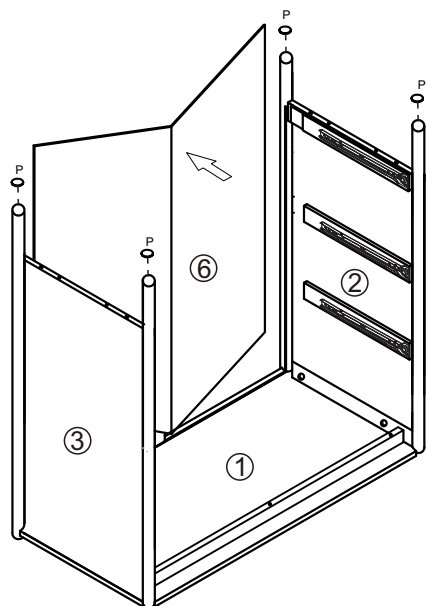
**5** Attach the runners E to pieces 2 and 3 as shown. Use screws (O).



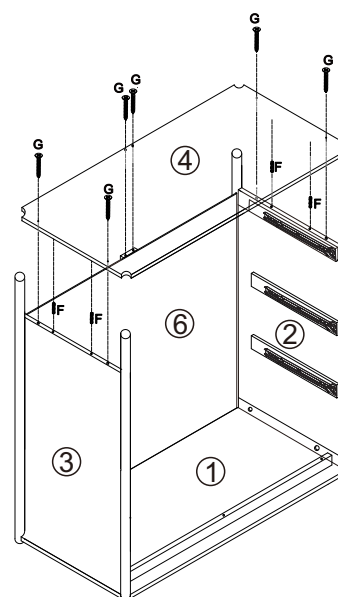
**6** Then attach pieces 2 and 3 to Top panel 1 using wooden dowels (F) and cam locks (B).



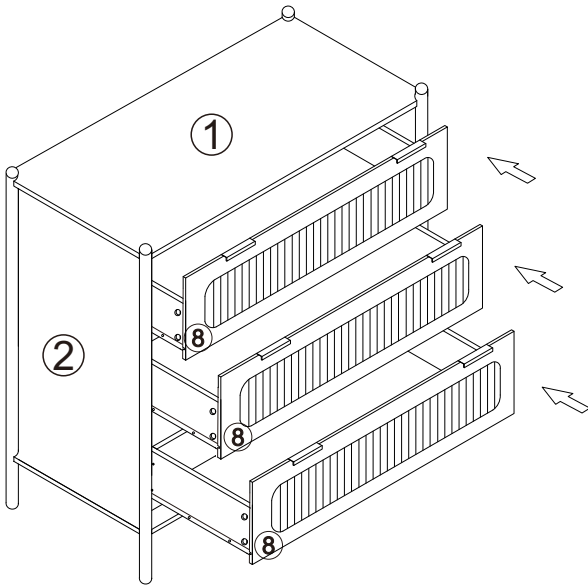
**7** Slot in piece 6 to the built-in ridges. Put Caps (P) on the leg.



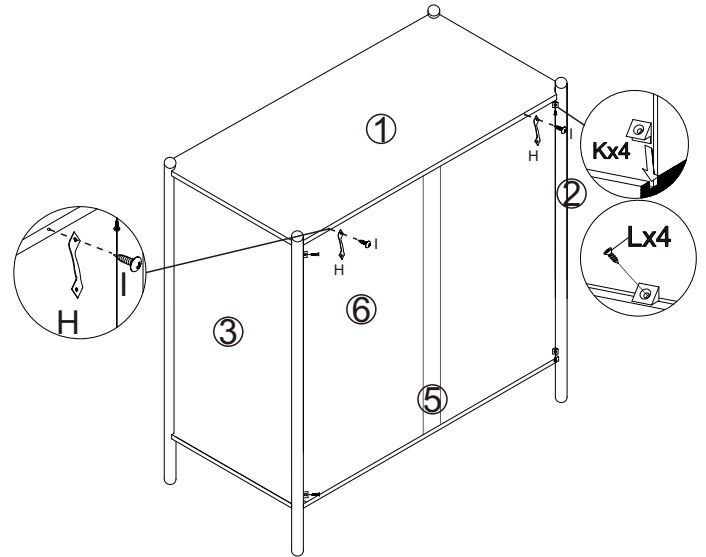
**8** Add piece 4 to the unit using wooden dowels (F), Screw (G).



**9** Turn the unit the right way up and insert the drawers.



**10** Put the plastic corner support (K) on the backboard 6 using screws (L), attach strip (H) using screw (I).



**11** Secure the unit to a wall in your chosen location using wall plugs (M) and screws (N). The unit should now be assembled and ready to use.

